

# What Would Good Have Looked Like 31 Excavator Bucket over the site Boundary line

ExxonMobil

## What Happened?

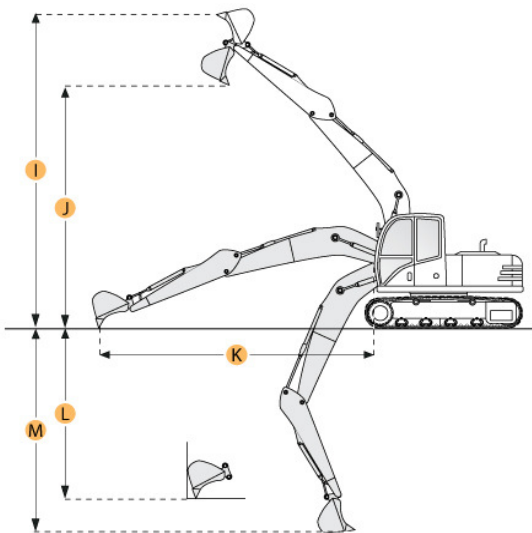
While removing concrete from a spoil heap on small closed PFS site, the excavator operator swung the bucket to the right over the boundary fence against agreed procedures which required slewing to the left only. As a consequence a piece of reinforcing rod hanging from the bucket could have struck a pedestrian or banksman.



### What's the Worst Thing That Could Happen?

It could have resulted in a serious injury or fatality.

## How should we operate safely ?



- ✓ Can extended, high visibility, poles be used to demark the works boundary.
- ✓ Move the excavator away from the boundary line so the fence can't be reached.
- ✓ Don't allow loose items to hang from any moving plant.
- ✓ Ensure the operator is fully aware of the agreed procedures before starting work.
- ✓ Carryout an SPSA before every action or task.
- ✓ Keep all operatives and public clear of the swing zone in all directions.

Assess

Analyze

Act

Environmental Services

Feb 2014